



INFICON EDC Inc. *Quality Quartz Crystals and Oscillators*

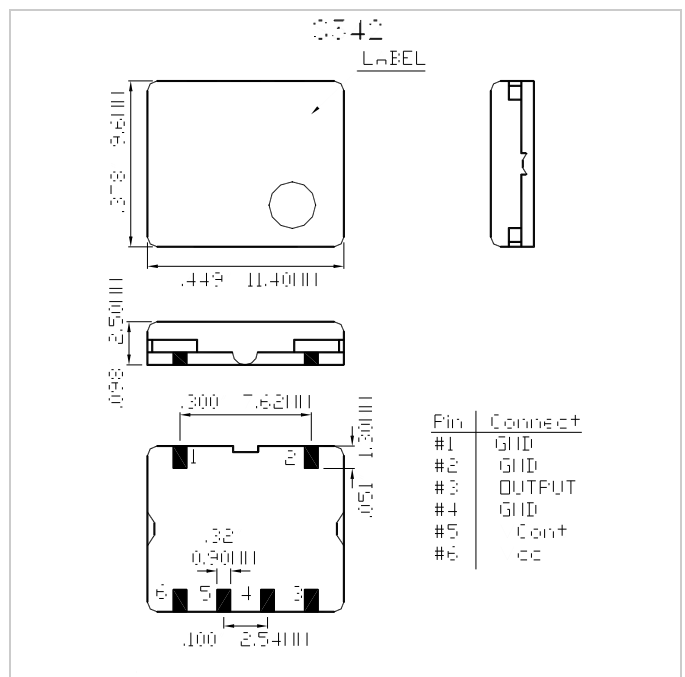
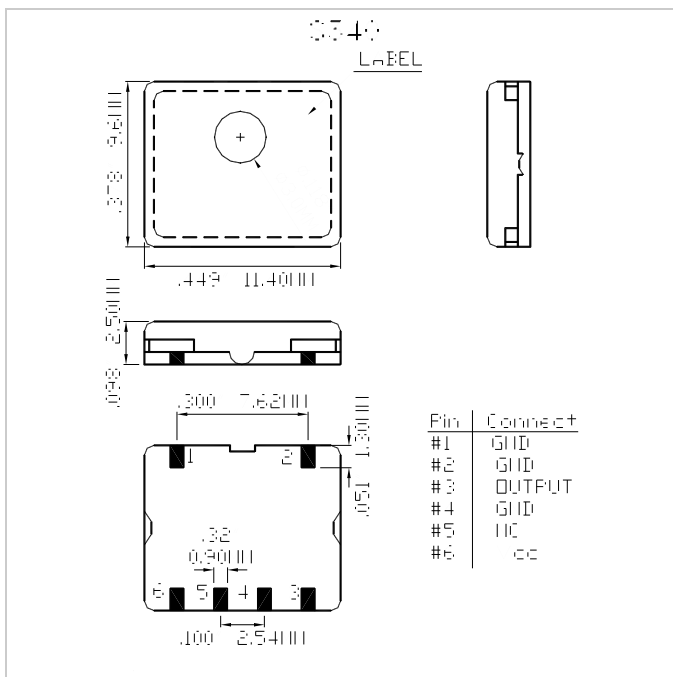
**ET 15**  
Series  
**TCXO**  
SMD Oscillators

Features: 9.6 x 11.4 mm, Mechanical Trim, With or Without Voltage Control, Sinewave Output

PARAMETERS	ET151	ET152
Package Part#	S340	S342
Frequency Range (MHz)	12.0 ~ 26.0	
Frequency Stability vs Temp. ( $\pm$ ppm)	2.5	
vs Supply Voltage	0.2	
vs Aging	1.0	
Temperature Range ( $^{\circ}$ C)	Operating - $-30 \sim +75$ / Operable - $-40 \sim +85$	
Supply Voltage (V)	$+5.0 \pm 5\%$	
Supply Current (mA)	2.0 Maximum	
Output Level (V)	1.0 p-p Minimum	
Load	10 K $\Omega$ / 10 pF	
Output Waveform	Clipped Sine	
Frequency Deviation ( $\pm$ ppm)	3.0 (Mechanical)	3.0 (Mechanical) / 15.0 (Electrical)
Control Voltage (V)	NA	$+0.5 \sim +4.5$

**STANDARD AVAILABLE OPTIONS**

Frequency Stability vs Temp. ( $\pm$ ppm): 1.0, 1.5, 2.0, 3.5, 4.0  
 Operating Temp. Range ( $^{\circ}$ C):  $-20 \sim +70$ ,  $-40 \sim +85$   
 4 Pin Version Available



INFICON EDC Inc. • (800) EDC-XTAL • [www.inficonedc.com](http://www.inficonedc.com)

This drawing & information are the property of INFICON EDC Inc. and shall not be reproduced, copied or used in any manner without the sole permission of INFICON EDC Inc. All specification subject to change. Please contact factory for current specifications (Rev. 05/08)