



INFICON EDC Inc. *Quality Quartz Crystals and Oscillators*

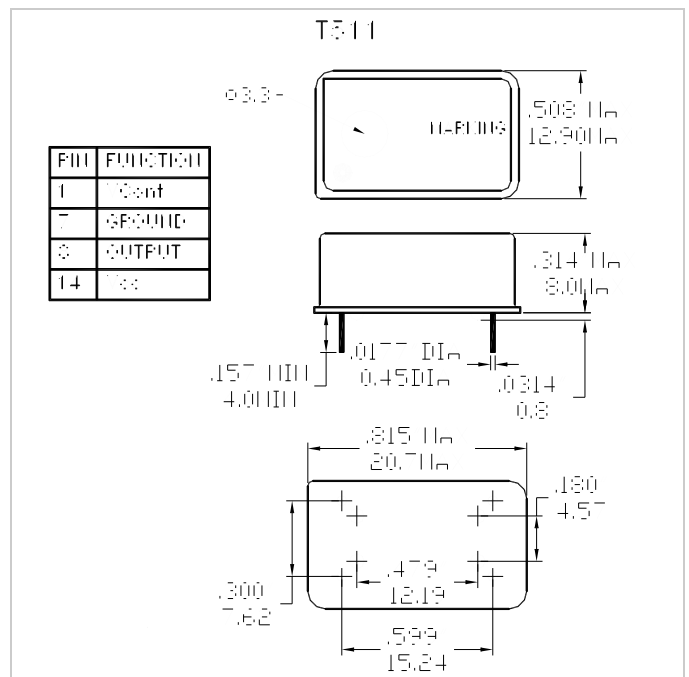
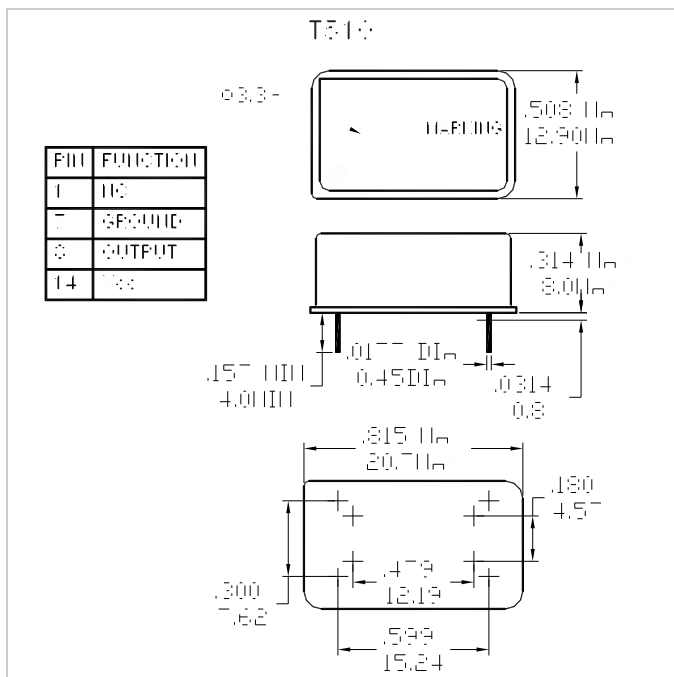
ET 20
Series
TCXO
Thru-Hole Oscillators

Features: DIP Size, Mechanical Trim, With or Without Voltage Control, Sine or CMOS/TTL

PARAMETERS	ET201	ET202	ET203	ET204
Package Part#	T510	T511	T510	T511
Frequency Range (MHz)	9.6 ~ 40.0		1.5 ~ 40.0	
Frequency Stability vs Temp. (\pm ppm)			2.5	
vs Supply Voltage	0.3		0.5	
vs Aging			1.0	
Temperature Range ($^{\circ}$ C)	Operating - $-30 \sim +75$ / Storage - $-40 \sim +85$			
Supply Voltage (V)	$+3.0 \sim +5.0$ ($\pm 5\%$)			
Supply Current (mA)	4.0 Maximum		30 Maximum	
Output Level (V)	1.0 p-p Minimum		15 pF / 2 TTL	
Load	10 K Ω / 10 pF		10% Vcc Max. / 90% Vcc Min.	
Output Waveform	Clipped Sine		CMOS / TTL (Square)	
Frequency Deviation (\pm ppm)	3.0 (Mech.)	3.0 (Mech.) / 10 (Pos. Elect.)	3.0 (Mech.)	3.0 (Mech.) / 10 (Pos. Elect.)
Control Voltage (V)	$+0.1 \sim +3.15$ // $+0.5 \sim +4.5$			

STANDARD AVAILABLE OPTIONS

Frequency Stability vs Temp. (\pm ppm): 1.0, 1.5, 2.0, 3.5, 4.0
 Operating Temp. Range ($^{\circ}$ C): $-20 \sim +70$, $-30 \sim +75$, $-40 \sim +85$



INFICON EDC Inc. • (800) EDC-XTAL • www.inficonedc.com

This drawing & information are the property of INFICON EDC Inc. and shall not be reproduced, copied or used in any manner without the sole permission of INFICON EDC Inc. All specification subject to change. Please contact factory for current specifications (Rev. 05/08)