



INFICON EDC Inc. *Quality Quartz Crystals and Oscillators*

EX 10
Series
COMMERCIAL
Thru-Hole Crystal

MICROPROCESSOR REFERENCE GUIDE

PARAMETERS	HC-51		HC-49	
Frequency Range (MHz)	1.8 ~ 3.0	3.0 ~ 4.0	1.8 ~ 3.0	3.0 ~ 100.0
Frequency Calibration (ppm)	± 50 @ 25 °C	± 30 @ 25 °C	± 50 @ 25 °C	± 30 @ 25 °C
Frequency Deviation (ppm)	± 100	± 50	± 100	± 50
Temperature Range (°C)	0 ~ +60		0 ~ +60	
Storage Temperature (°C)	-40 ~ +85			

Options: Third Lead, Vinyl Sleeve, Mylar Spacer, Crimped Leads, SMT "Gull Wing", Tape & Reel Packaging
Additional frequencies and specifications available upon request.

Frequency (MHz)	Holder	Circuit Load (pF)	Maximum Res. (Ω)	EDC Part #
1.843200	HC-51	13	400	EDC2002
1.843200	HC-49	13	750	EDC1002
2.000000	HC-51	20	300	EDC2003
2.000000	HC-49	20	500	EDC1003
2.000000	HC-49	32	500	EDC1004
2.097152	HC-51	20	300	EDC2004
2.097152	HC-49	20	500	EDC1005
2.457600	HC-49	32	300	EDC1006
3.000000	HC-51	32	200	EDC2005
3.000000	HC-49	32	200	EDC1007
3.276800	HC-51	18	100	EDC2006
3.276800	HC-49	18	150	EDC1008
3.579545	HC-51	18	90	EDC2007
3.579545	HC-49	18	120	EDC1009
3.686400	HC-49	Series	120	EDC1010
3.686400	HC-49	20	120	EDC1011
4.000000	HC-49	Series	100	EDC1012
4.000000	HC-49	Series	100	EDC1090
4.032000	HC-49	22	100	EDC1013
4.096000	HC-49	Series	100	EDC1014
4.096000	HC-49	20	100	EDC1015
4.194304	HC-49	12	100	EDC1016
4.433619	HC-49	20	70	EDC1017
4.915200	HC-49	Series	55	EDC1018
4.915200	HC-49	20	55	EDC1019

Frequency (MHz)	Holder	Circuit Load (pF)	Maximum Res. (Ω)	EDC Part #
4.956200	HC-49	Series	55	EDC1020
4.956200	HC-49	20	55	EDC1021
5.000000	HC-49	20	55	EDC1022
5.068800	HC-49	Series	55	EDC1023
5.068800	HC-49	20	55	EDC1024
5.185000	HC-49	20	55	EDC1025
5.760000	HC-49	20	50	EDC1091
6.000000	HC-49	Series	50	EDC1026
6.000000	HC-49	20	50	EDC1027
6.144000	HC-49	30	50	EDC1028
6.144000	HC-49	20	50	EDC1029
6.553600	HC-49	20	50	EDC1030
7.372800	HC-49	Series	40	EDC1031
7.372800	HC-49	20	40	EDC1032
8.000000	HC-49	Series	35	EDC1033
8.000000	HC-49	20	35	EDC1034
8.192000	HC-49	Series	35	EDC1035
8.192000	HC-49	20	35	EDC1036
9.216000	HC-49	Series	35	EDC1037
9.216000	HC-49	20	35	EDC1038
9.600000	HC-49	Series	35	EDC1039
9.600000	HC-49	20	35	EDC1040
9.830400	HC-49	Series	35	EDC1041
9.830400	HC-49	20	35	EDC1042
10.000000	HC-49	Series	30	EDC1043

INFICON EDC Inc. • (800) EDC-XTAL • www.inficonedc.com

This drawing & information are the property of INFICON EDC Inc. and shall not be reproduced, copied or used in any manner without the sole permission of INFICON EDC Inc. All specification subject to change. Please contact factory for current specifications (Rev. 05/08)



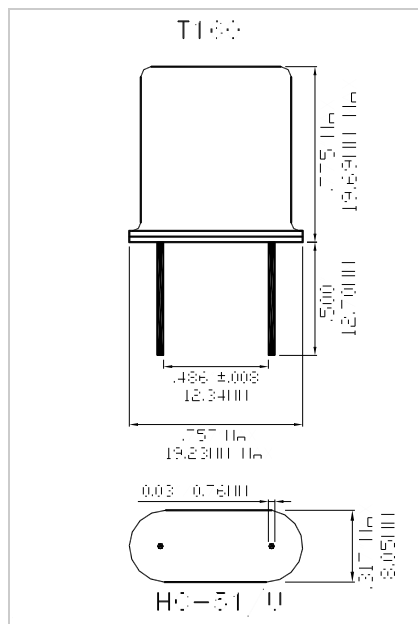
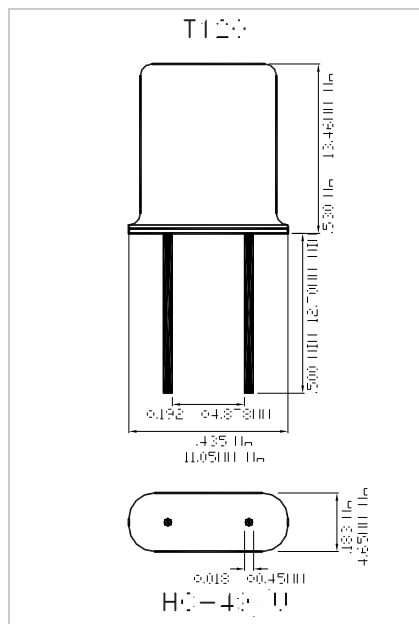
INFICON EDC Inc. *Quality Quartz Crystals and Oscillators*

EX 10
Series
COMMERCIAL
Thru-Hole Crystal

Frequency (MHz)	Holder	Circuit Load (pF)	Maximum Res. (Ω)	EDC Part #
10.000000	HC-49	20	30	EDC1044
10.738635	HC-49	Series	30	EDC1045
10.738635	HC-49	18	30	EDC1046
10.738635	HC-49	20	30	EDC1047
11.000000	HC-49	Series	30	EDC1048
11.000000	HC-49	20	30	EDC1049
11.059200	HC-49	Series	30	EDC1050
11.059200	HC-49	20	30	EDC1051
12.000000	HC-49	Series	30	EDC1052
12.000000	HC-49	20	30	EDC1053
12.288000	HC-49	Series	30	EDC1054
12.288000	HC-49	20	30	EDC1055
13.516000	HC-49	Series	25	EDC1056
13.516000	HC-49	20	25	EDC1057
14.318180	HC-49	Series	25	EDC1058
14.318180	HC-49	20	25	EDC1059
14.745600	HC-49	Series	25	EDC1060
14.745600	HC-49	20	25	EDC1061
15.000000	HC-49	Series	25	EDC1062
15.000000	HC-49	20	25	EDC1063
16.000000	HC-49	Series	25	EDC1064
16.000000	HC-49	20	25	EDC1065
17.734475	HC-49	Series	25	EDC1066
17.734475	HC-49	20	25	EDC1067
18.000000	HC-49	Series	20	EDC1068

Frequency (MHz)	Holder	Circuit Load (pF)	Maximum Res. (Ω)	EDC Part #
18.000000	HC-49	20	20	EDC1069
18.432000	HC-49	Series	20	EDC1070
18.432000	HC-49	20	20	EDC1071
19.660800	HC-49	Series	20	EDC1072
19.660800	HC-49	20	20	EDC1073
20.000000	HC-49	Series	20	EDC1074
20.000000	HC-49	20	20	EDC1075
22.118400	HC-49	Series	20	EDC1076
22.118400	HC-49	20	20	EDC1077
24.000000	HC-49	Series	20	EDC1078
24.000000	HC-49	20	20	EDC1079
24.000000	HC-49	Series *	40	EDC1080
24.000000	HC-49	20 *	40	EDC1081
27.000000	HC-49	Series *	40	EDC1082
32.000000	HC-49	Series *	40	EDC1083
32.000000	HC-49	20 *	40	EDC1084
36.000000	HC-49	Series *	40	EDC1085
36.000000	HC-49	20 *	40	EDC1086
48.000000	HC-49	Series *	40	EDC1087
48.000000	HC-49	20 *	40	EDC1088
100.000000	HC-49	Series *	80	EDC1089

* Indicates Overtone Crystals



INFICON EDC Inc. • (800) EDC-XTAL • www.inficonedc.com

This drawing & information are the property of INFICON EDC Inc. and shall not be reproduced, copied or used in any manner without the sole permission of INFICON EDC Inc. All specification subject to change. Please contact factory for current specifications (Rev. 05/08)