



INFICON EDC Inc. *Quality Quartz Crystals and Oscillators*

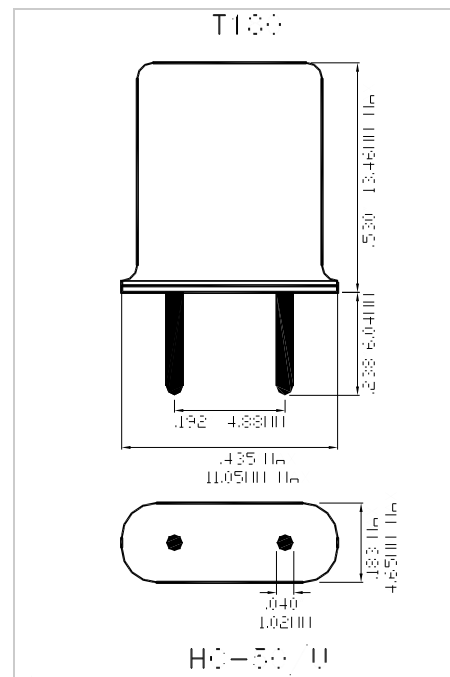
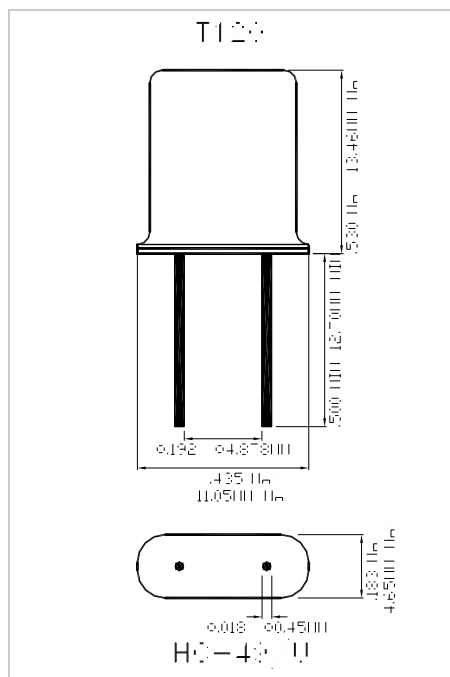
EX 13
Series
COMMERCIAL
Thru-Hole Crystal

Features: *Commercial, Industrial, Custom Made-to-Order, 5th Overtone, HC-49 Size Series*

PARAMETERS	EX131	EX132
Package Part#	T120	T180
Frequency Range (MHz)	50.0 ~ 150.0	
Overtone	5 th	
Frequency Calibration (±ppm)	30	
Frequency Stability (±ppm)	50	
Operating Temp. Range (°C)	0 ~ +70	
Max. Resistance Level (Ω)	60	
Resonance Type	Series or Load (Specify 10 ~ 50 pF)	
Max. Drive Level (μW)	1,000	
Test Drive Level (μW)	50	

STANDARD AVAILABLE OPTIONS

- Frequency Calibration (±ppm): 5, 10, 15, 20, 25
- Frequency Stability (±ppm): 5, 10, 15, 20, 25, 50 (Frequency and Temp. Range Dependent)
- Operating Temp. Range (°C): Downward to -60 and Upward to +150 (Frequency Range Dependent)
- Max. Resistance Level (Ω): Lower values are available (Frequency Range Dependent)
- Third Lead, Three Lead, Vinyl Sleeve, Mylar Spacer, Crimped Leads, SMT "Gull Wing"



INFICON EDC Inc. • (800) EDC-XTAL • www.inficonedc.com

This drawing & information are the property of INFICON EDC Inc. and shall not be reproduced, copied or used in any manner without the sole permission of INFICON EDC Inc. All specification subject to change. Please contact factory for current specifications (Rev. 05/08)