



INFICON EDC Inc. *Quality Quartz Crystals and Oscillators*

EX 19
Series
COMMERCIAL
Thru-Hole Crystal

Features: *Commercial, Industrial, Custom Made-to-Order, TO-5 Series*

PARAMETERS	EX191	EX193	EX195
Package Part#		T220 or T230	
Frequency Range (MHz)	6.0 ~ 30.0	30.0 ~ 100.0	50.0 ~ 150.0
Overtone	Fundamental	3 rd	5 th
Frequency Calibration (\pm ppm)		30	
Frequency Stability (\pm ppm)		50	
Operating Temp. Range ($^{\circ}$ C)		0 ~ +70	
Max. Resistance Level (ohms)	6.0MHz ~ 50 Ω , 12.0MHz ~ 30 Ω	50	60
Resonance Type	Series or Load (Specify 10 ~ 50 pF)		
Max. Drive Level (μ W)	1,000	500	
Test Drive Level (μ W)		50	

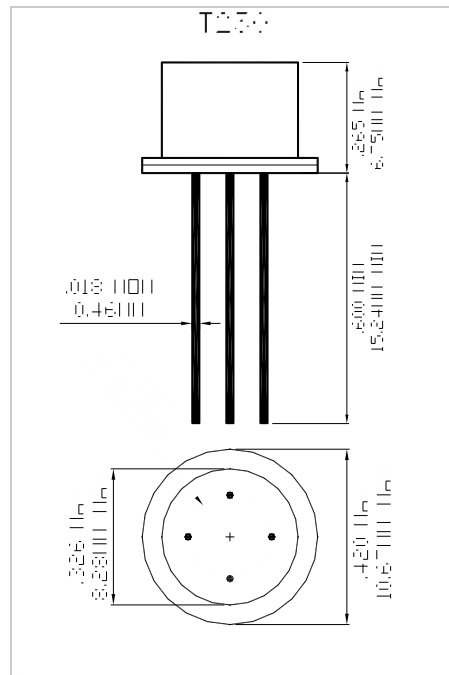
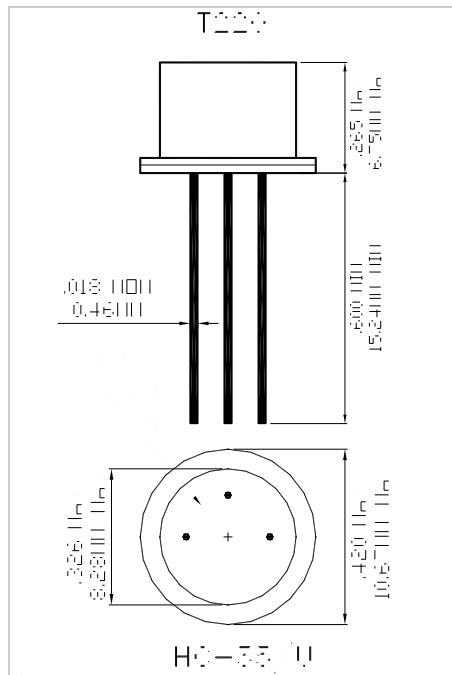
STANDARD AVAILABLE OPTIONS

Frequency Calibration (\pm ppm): 5, 10, 15, 20, 25

Frequency Stability (\pm ppm): 5, 10, 15, 20, 25, 50 (Frequency and Temp. Range Dependent)

Operating Temp. Range ($^{\circ}$ C): Downward to -60 and Upward to +150 (Frequency Range Dependent)

Max. Resistance Level (Ω): Lower values are available (Frequency Range Dependent)



INFICON EDC Inc. • (800) EDC-XTAL • www.inficonedc.com

This drawing & information are the property of INFICON EDC Inc. and shall not be reproduced, copied or used in any manner without the sole permission of INFICON EDC Inc. All specification subject to change. Please contact factory for current specifications (Rev. 05/08)