



INFICON EDC Inc. *Quality Quartz Crystals and Oscillators*

**EX 20**  
Series  
**COMMERCIAL**  
Thru-Hole Crystal

Features: Commercial, Industrial, AT Strip, Fundamental & 3<sup>rd</sup> Overtone, HC-49 Lo-Pro Series

PARAMETERS	EX201	EX202	EX203	EX204
Package Part#	T252	T254	T252	T254
Frequency Range (MHz)	3.5 ~ 25.0		25.0 ~ 60.0	
Overtone	Fundamental		3 <sup>rd</sup>	
Frequency Calibration ( $\pm$ ppm)	30			
Frequency Stability ( $\pm$ ppm)	50			
Operating Temp. Range ( $^{\circ}$ C)	0 ~ +70			
Max. Resistance Level (ohms)	3.5M ~ 150 $\Omega$ , 4.0M ~ 120 $\Omega$ , 5.0M ~ 100 $\Omega$ , 6.0M ~ 75 $\Omega$ , 12.0M ~ 60 $\Omega$ , 15.0M ~ 50 $\Omega$		25.0M ~ 75 $\Omega$ , 40.0M ~ 60 $\Omega$	
Resonance Type	Series or Load (Specify 10 ~ 50 pF)			
Max. Drive Level ( $\mu$ W)	500			
Test Drive Level ( $\mu$ W)	50			

### STANDARD AVAILABLE OPTIONS

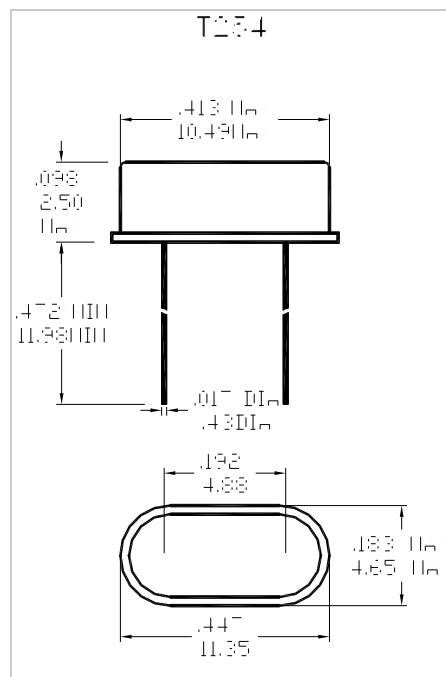
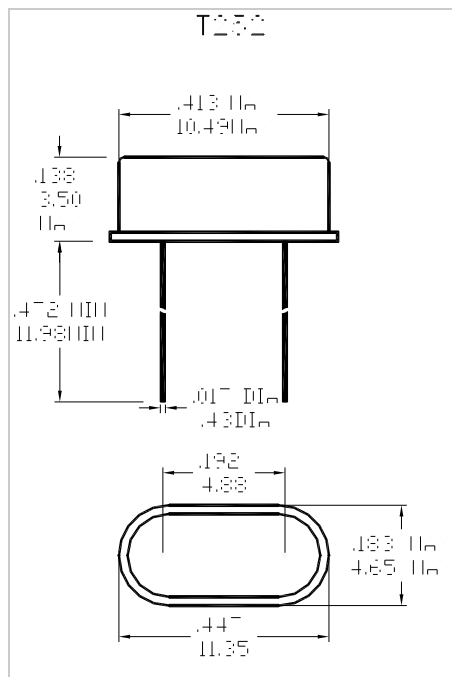
Frequency Calibration ( $\pm$ ppm): 10, 15, 20, 25

Frequency Stability ( $\pm$ ppm): 15, 20, 25, 50 (Frequency and Temp. Range Dependent)

Operating Temp. Range ( $^{\circ}$ C): Downward to -40 and Upward to +105 (Frequency Range Dependent)

Max. Resistance Level ( $\Omega$ ): Lower values are available (Frequency Range Dependent)

Third Lead, Three Lead, Vinyl Sleeve, Mylar Spacer, Crimped Leads



INFICON EDC Inc. • (800) EDC-XTAL • [www.inficonedc.com](http://www.inficonedc.com)

This drawing & information are the property of INFICON EDC Inc. and shall not be reproduced, copied or used in any manner without the sole permission of INFICON EDC Inc. All specification subject to change. Please contact factory for current specifications (Rev. 05/08)