



INFICON EDC Inc. *Quality Quartz Crystals and Oscillators*

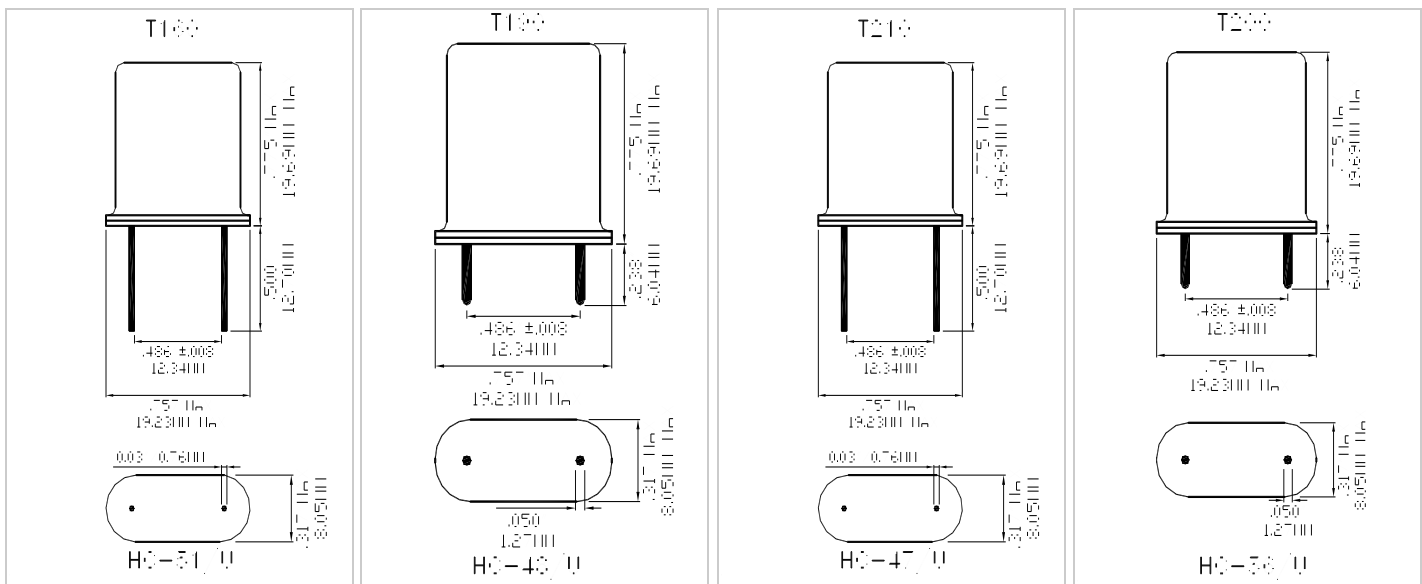
EX 28
Series
MILITARY
Thru-Hole Crystal

Features: Military, Custom Made-to-Order, Fundamental, HC-51 Size Series

PARAMETERS	EX281	EX282	EX283	EX284
Package Part#	T160	T190	T210	T200
Frequency Range (MHz)	1.6 ~ 25.0			
Overtone	Fundamental			
Frequency Calibration (\pm ppm)	10 Typical			
Frequency Stability (\pm ppm)	30 Typical			
Operating Temp. Range ($^{\circ}$ C)	-55 ~ +105			
Max. Resistance Level (Ω)	1.6MHz ~ 500 Ω , 2.8MHz ~ 300 Ω , 3.5MHz ~ 150 Ω , 5.0MHz ~ 80 Ω , 7.5MHz ~ 50 Ω , 9.0MHz ~ 30 Ω			
Resonance Type	Series or Load (Specify 10 ~ 50 pF)			
Max. Drive Level (μ W)	2,000			
Test Drive Level (μ W)	Per Specification (200 Typical)			

STANDARD AVAILABLE OPTIONS

- Parts are manufactured and tested per MIL-C-3098 and marked per MIL-STD-1285
- Parts are manufactured to meet the electrical & mechanical requirements of MIL-STD-202
- Frequency Calibration (\pm ppm): 5, 10, 15, 20, 25
- Frequency Stability (\pm ppm): 5, 10, 15, 20, 25, 50 (Frequency and Temp. Range Dependent)
- Operating Temp. Range ($^{\circ}$ C): Downward to -60 and Upward to +150 (Frequency Range Dependent)
- Max. Resistance Level (Ω): Lower values are available (Frequency Range Dependent)



INFICON EDC Inc. • (800) EDC-XTAL • www.inficonedc.com

This drawing & information are the property of INFICON EDC Inc. and shall not be reproduced, copied or used in any manner without the sole permission of INFICON EDC Inc. All specification subject to change. Please contact factory for current specifications (Rev. 05/08)