



INFICON EDC Inc. *Quality Quartz Crystals and Oscillators*

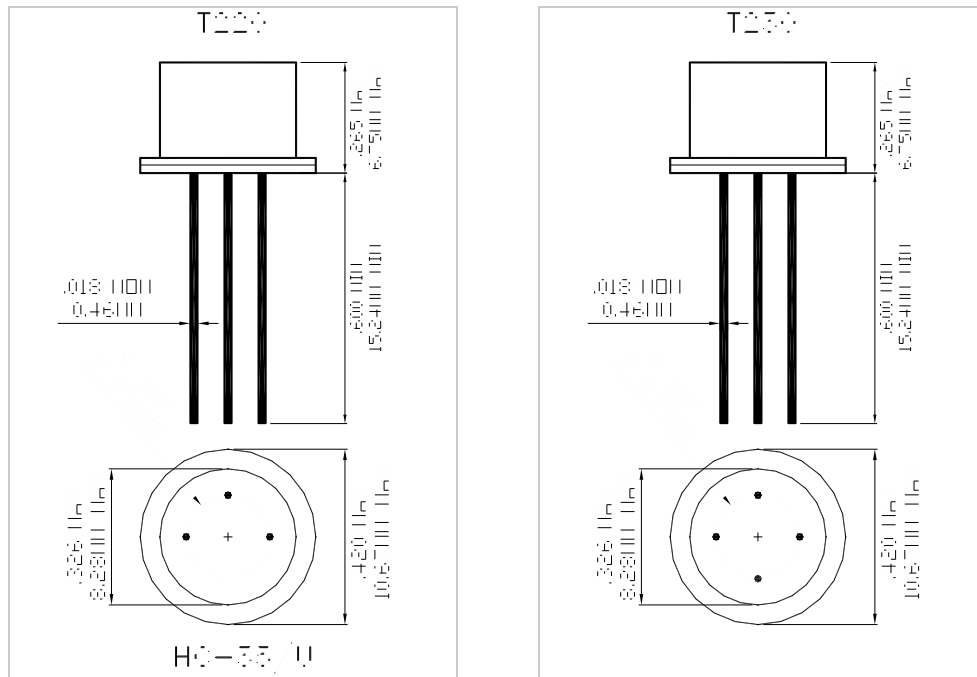
EX 29
Series
MILITARY
Thru-Hole Crystal

Features: Military, Custom Made-to-Order, TO-5 Series

PARAMETERS	EX291	EX293	EX295
Package Part#		T220 or T230	
Frequency Range (MHz)	6.0 ~ 30.0	30.0 ~ 100.0	50.0 ~ 150.0
Overtone	Fundamental	3 rd	5 th
Frequency Calibration (±ppm)		10 Typical	
Frequency Stability (±ppm)		30 Typical	
Operating Temp. Range (°C)		-55 ~ +105	
Max. Resistance Level (ohms)	6.0M ~ 50Ω, 12.0M ~ 30Ω	50	60
Resonance Type	Series or Load (Specify 10 ~ 50 pF)		
Max. Drive Level (µW)	1,000	500	
Test Drive Level (µW)	Per Specification (200 Typical)		

STANDARD AVAILABLE OPTIONS

- Parts are manufactured and tested per MIL-C-3098 and marked per MIL-STD-1285
- Parts are manufactured to meet the electrical & mechanical requirements of MIL-STD-202
- Frequency Calibration (±ppm): 5, 10, 15, 20, 25
- Frequency Stability (±ppm): 5, 10, 15, 20, 25, 50 (Frequency and Temp. Range Dependent)
- Operating Temp. Range (°C): Downward to -60 and Upward to +150 (Frequency Range Dependent)
- Max. Resistance Level (Ω): Lower values are available (Frequency Range Dependent)



INFICON EDC Inc. • (800) EDC-XTAL • www.inficonedc.com

This drawing & information are the property of INFICON EDC Inc. and shall not be reproduced, copied or used in any manner without the sole permission of INFICON EDC Inc. All specification subject to change. Please contact factory for current specifications (Rev. 05/08)