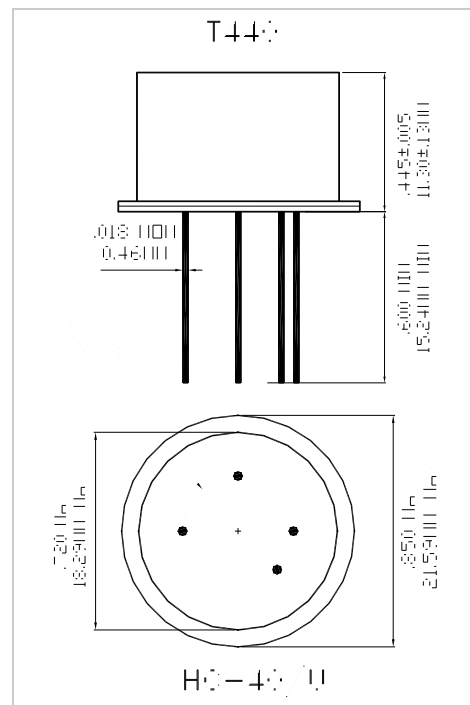
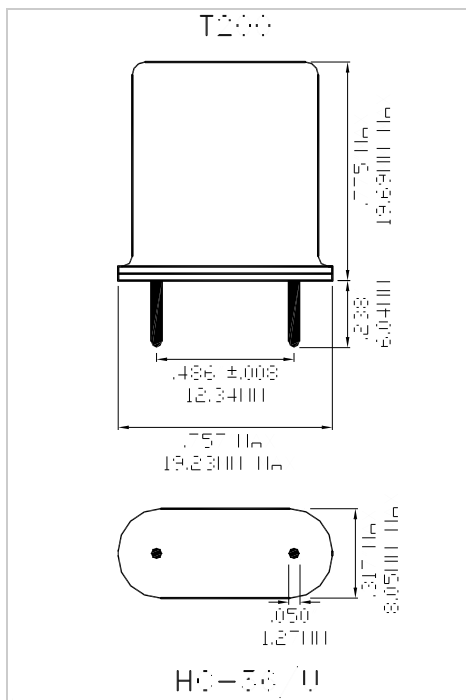


Features: Commercial, Industrial, Custom Made-to-Order, 3rd Overtone, SC Cut

PARAMETERS	EX471	EX472
Package Part#	T200	T440
Frequency Range (MHz)	5.0 ~ 25.0	
Overtone	3 rd	
Inclusive Frequency Tol. (±ppm)	1 ~ 5 (2 Typical)	
Lower Turning Point (°C)	Per Specification (+65 ~ +95 Typical)	
Upper Turning Point (°C)	Per Specification (+95 ~ +120 Typical)	
Operating Temp. Range (°C)	+60 ~ +125	
Operable Temp. Range (°C)	-60 ~ +150	
Minimum Q	800K ~ 1.5M (1.2M Typical)	
Resonance Type	Series or Load (Specify 10 ~ 50 pF)	
Test Drive Level (µW)	50	
Aging (ppb / day after 30 days on)	Per Specification (0.1 ~ 1.0 Typical)	

STANDARD AVAILABLE OPTIONS

Turning Point Tolerance (°C): ± 3 ~ ± 10 as requested



INFICON EDC Inc. • (800) EDC-XTAL • www.inficonedc.com

This drawing & information are the property of INFICON EDC Inc. and shall not be reproduced, copied or used in any manner without the sole permission of INFICON EDC Inc. All specification subject to change. Please contact factory for current specifications (Rev. 05/08)